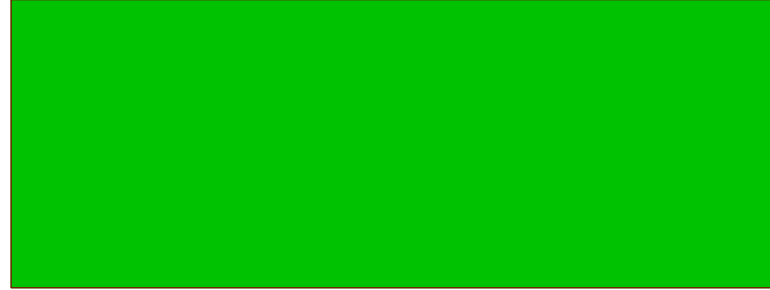


MCUBoard_mid

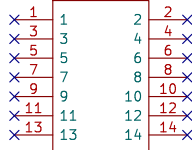


Accessory Components (not to be mounted on the board)



BZ1
PS1740P02E

J29
FTSH-107-02-F-DV-K



to mount on ochin_CM4



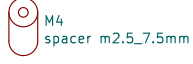
M1
spacer m2.5_7.5mm



M2
spacer m2.5_7.5mm



M3
spacer m2.5_7.5mm



M4
spacer m2.5_7.5mm



M5
Screw M2.5-20mm



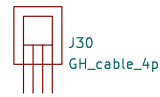
M6
Screw M2.5-20mm



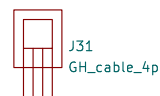
M7
Screw M2.5-20mm



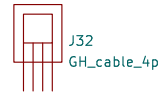
M8
Screw M2.5-20mm



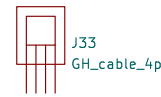
J30
GH_cable_4p



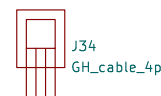
J31
GH_cable_4p



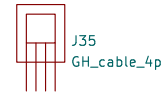
J32
GH_cable_4p



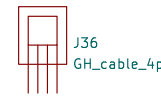
J33
GH_cable_4p



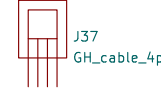
J34
GH_cable_4p



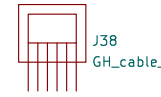
J35
GH_cable_4p



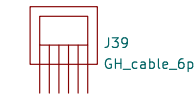
J36
GH_cable_4p



J37
GH_cable_4p



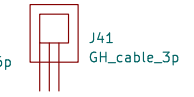
J38
GH_cable_6p



J39
GH_cable_6p



J40
GH_cable_3p



J41
GH_cable_3p



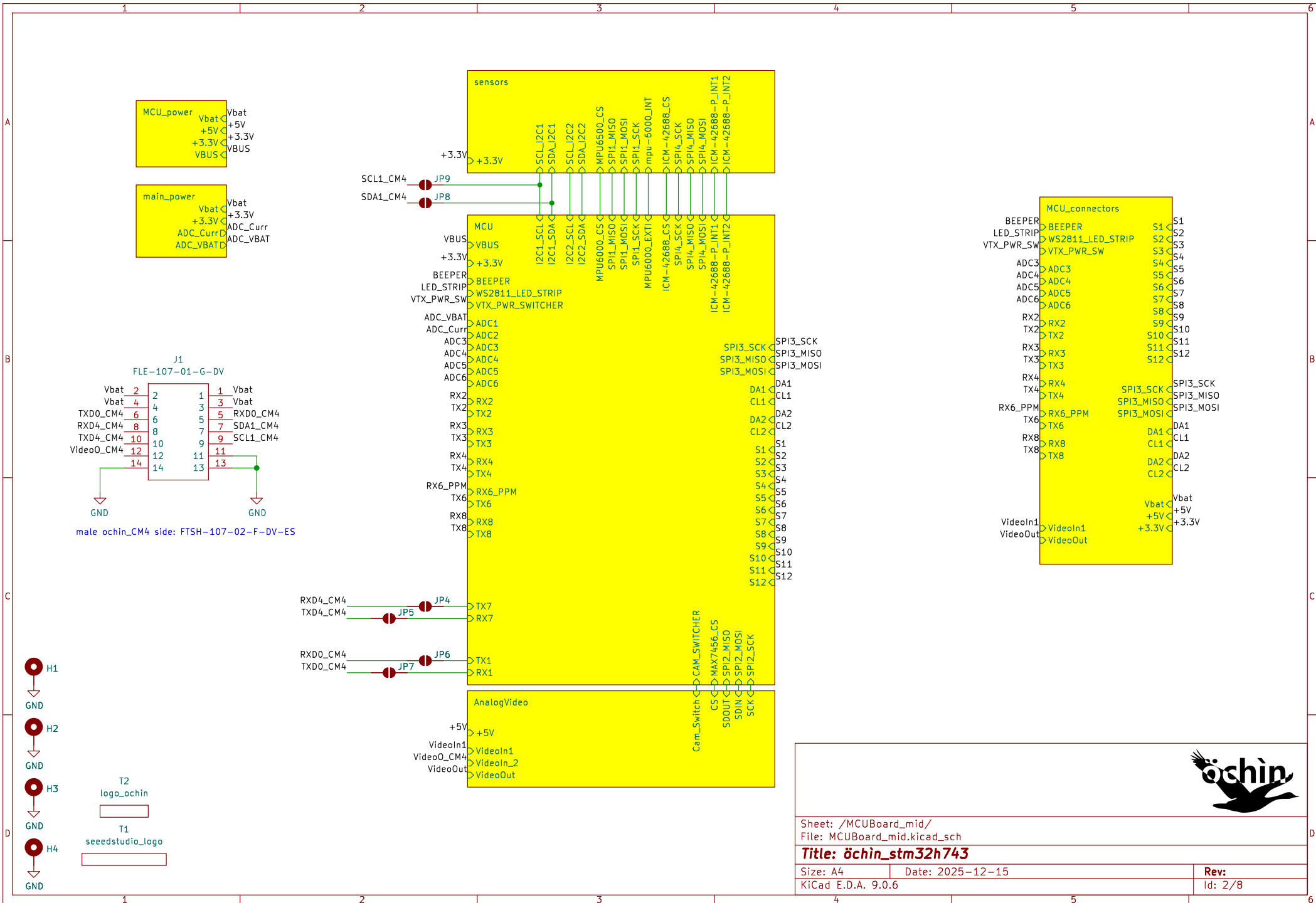
Sheet: /
File: ochin_stm32h743.kicad_sch

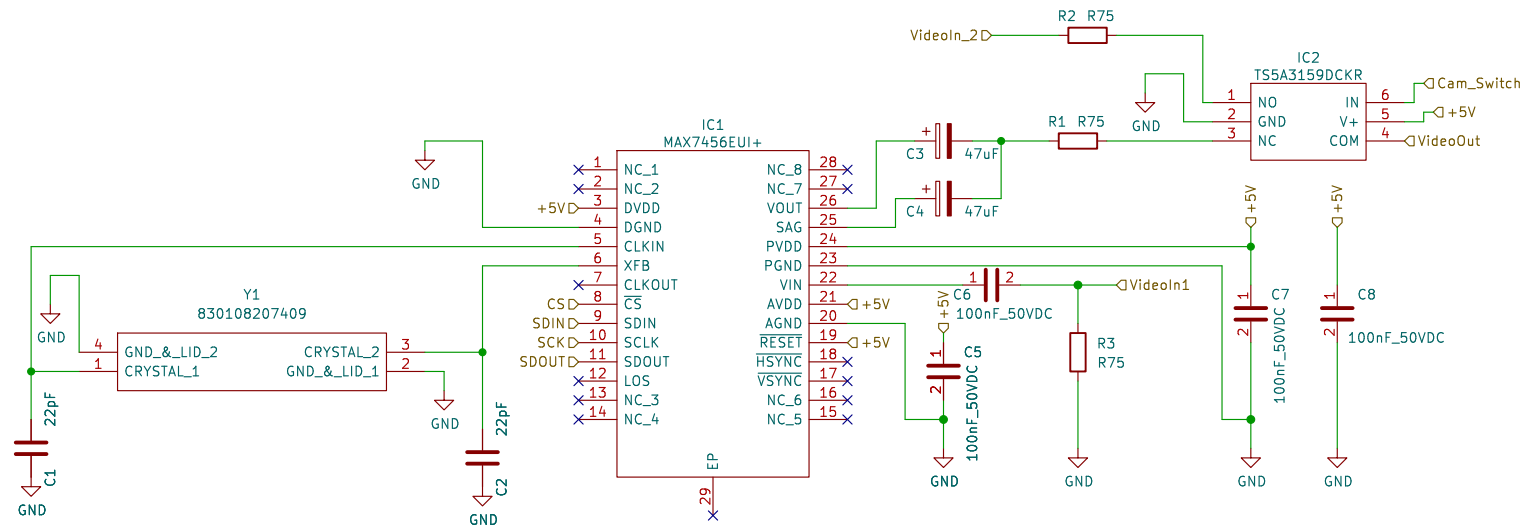
Title: ochin_stm32h743

Size: A4 Date: 2025-12-15

KiCad E.D.A. 9.0.6

Rev:
Id: 1/8



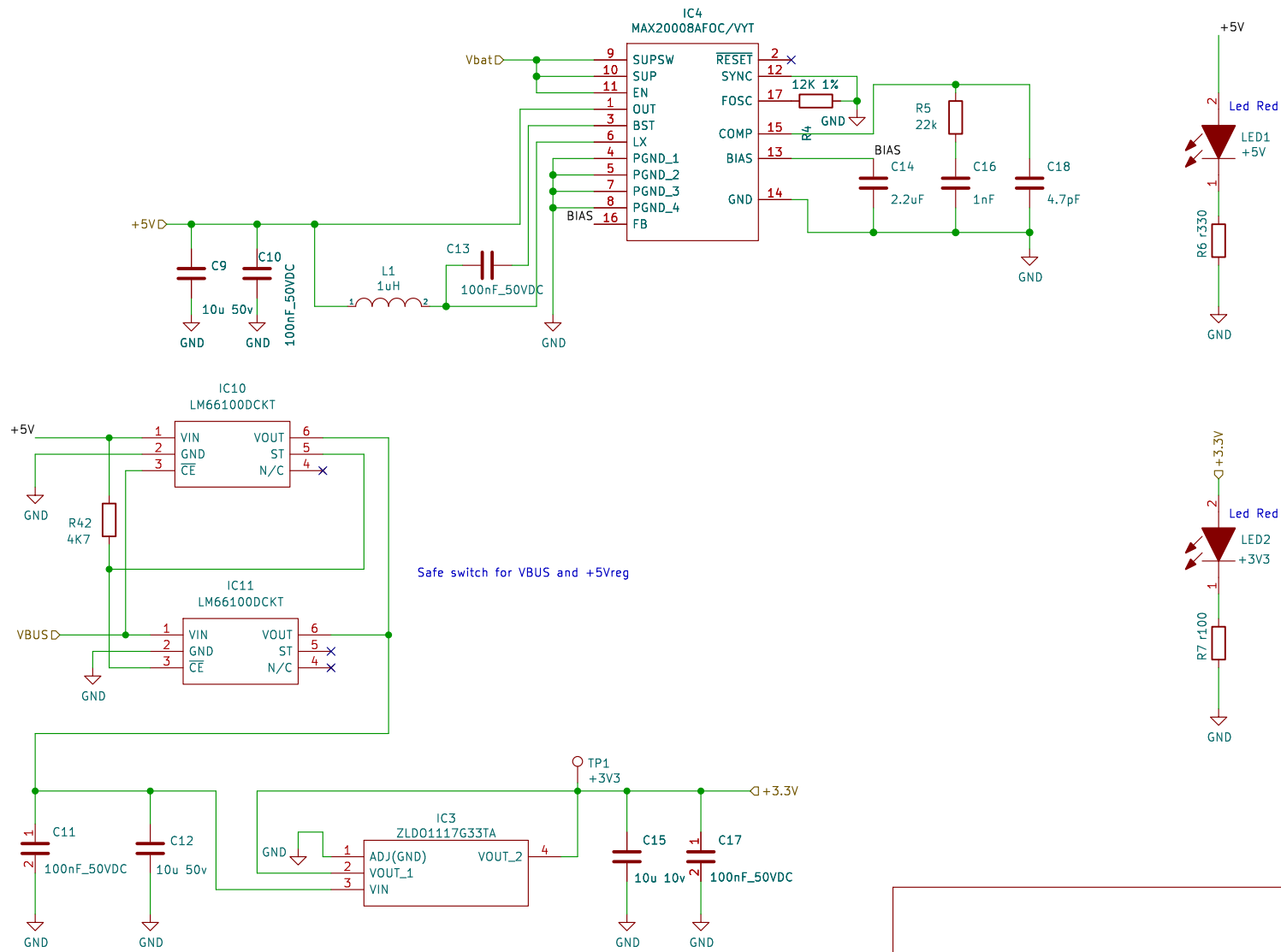


Sheet: /MCUBoard_mid/AnalogVideo/
 File: AnalogVideo.kicad_sch

Title: öchìn_stm32h743

Size: A4 Date: 2025-12-15
 KiCad E.D.A. 9.0.6

Rev:
 Id: 3/8



Safe switch for VBUS and +5Vreg

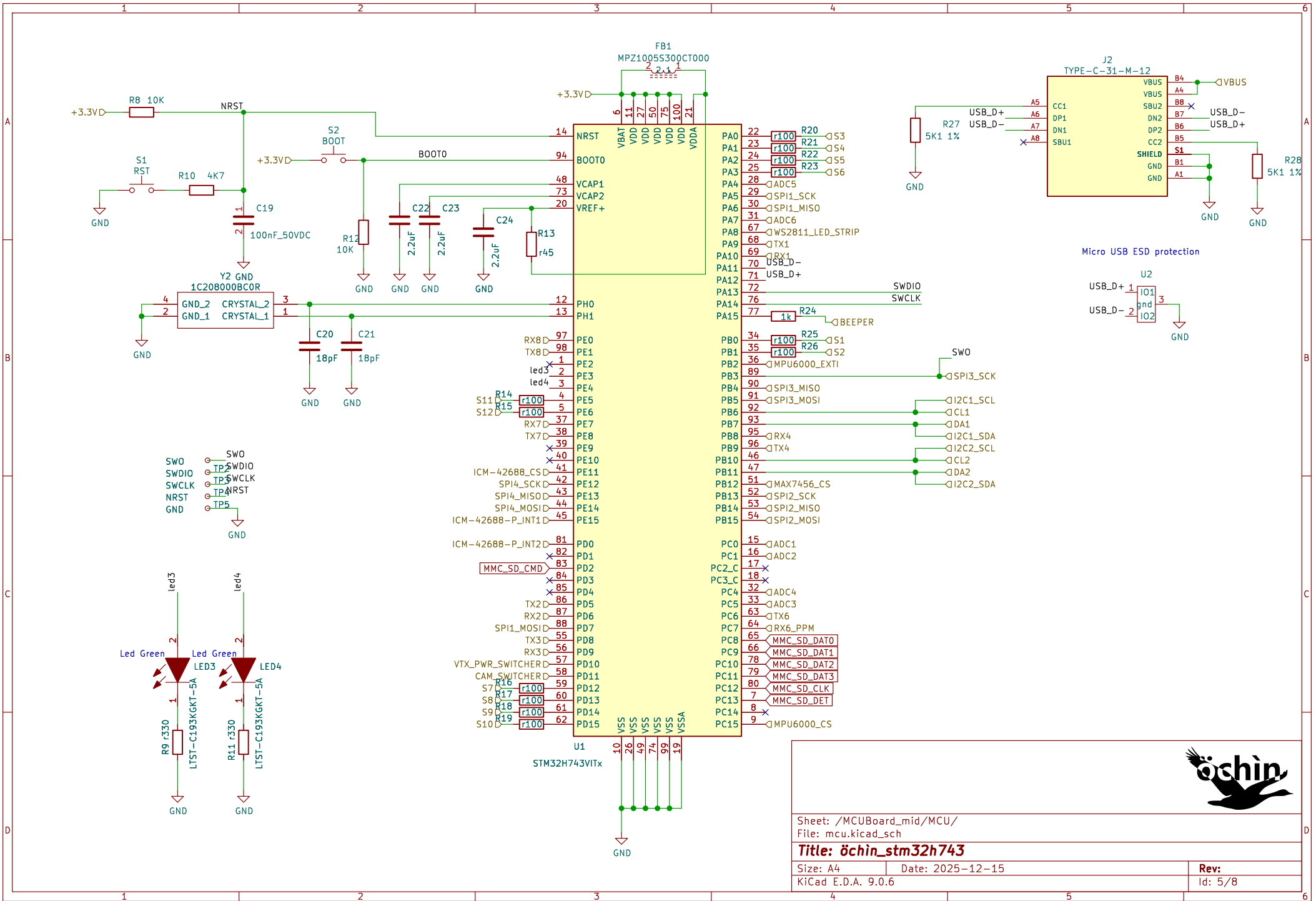


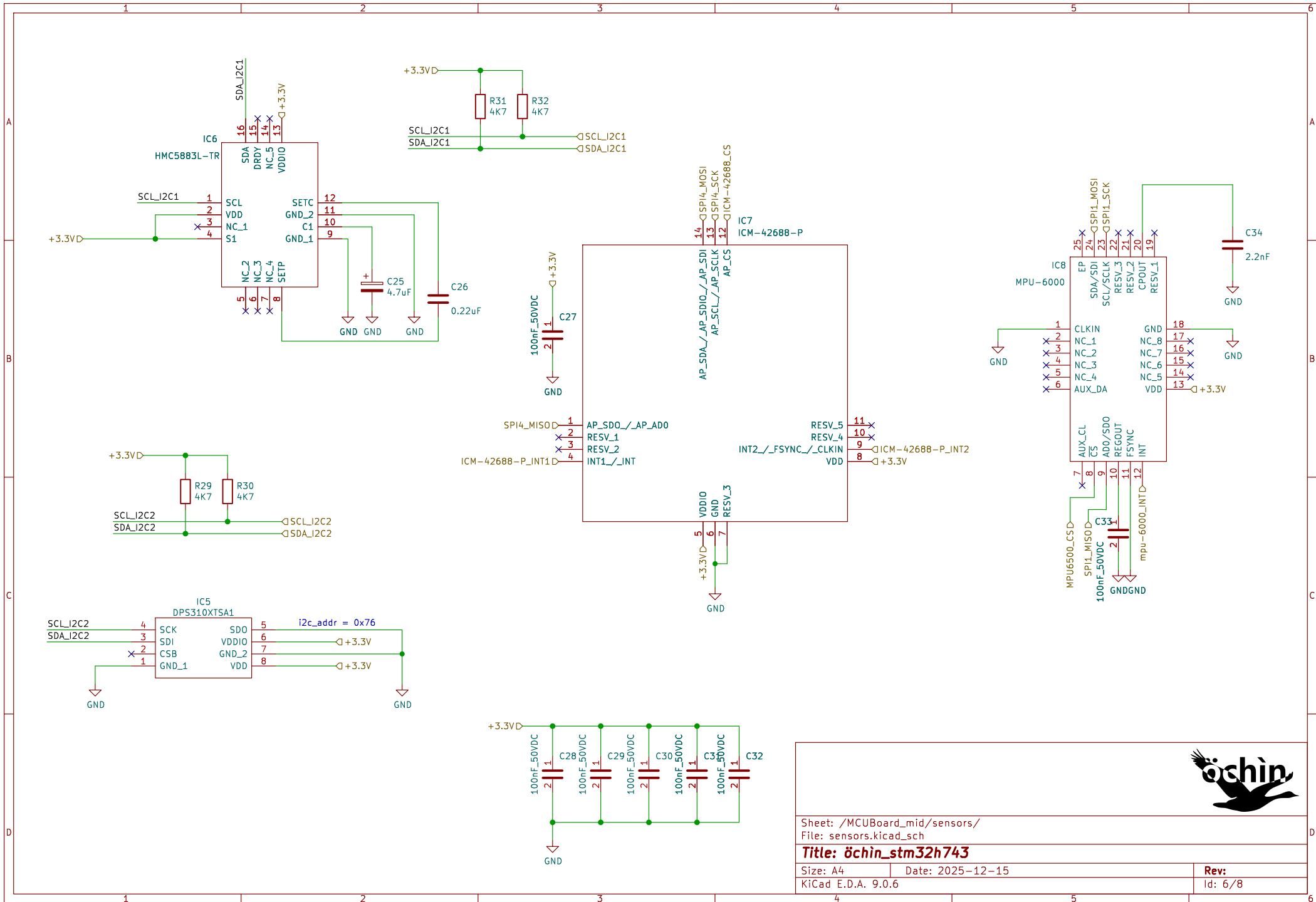
Sheet: /MCUBoard_mid/MCU_power/
File: MCU_power.kicad_sch

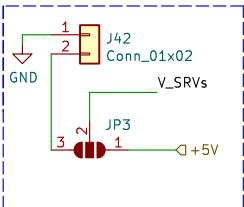
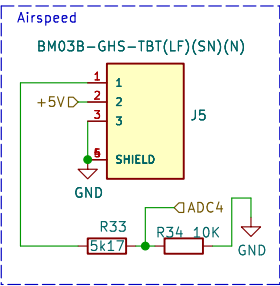
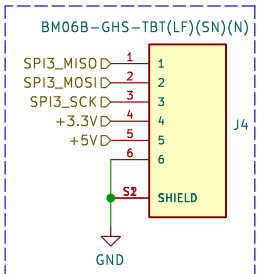
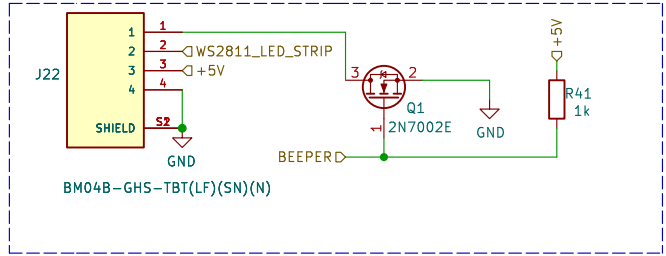
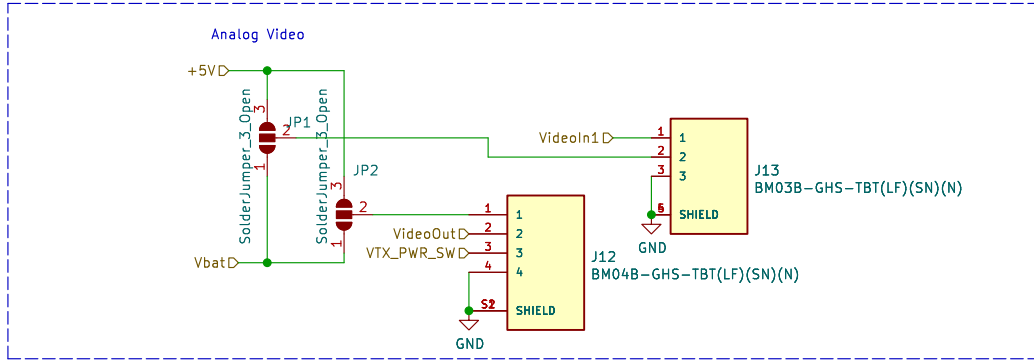
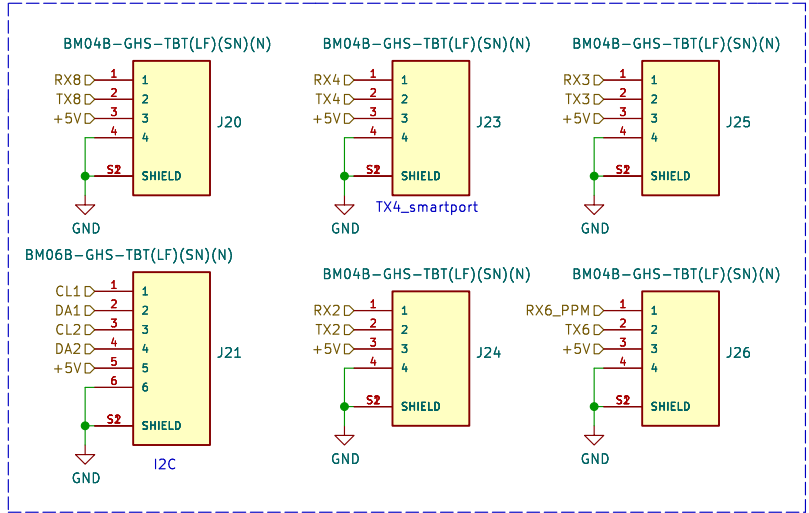
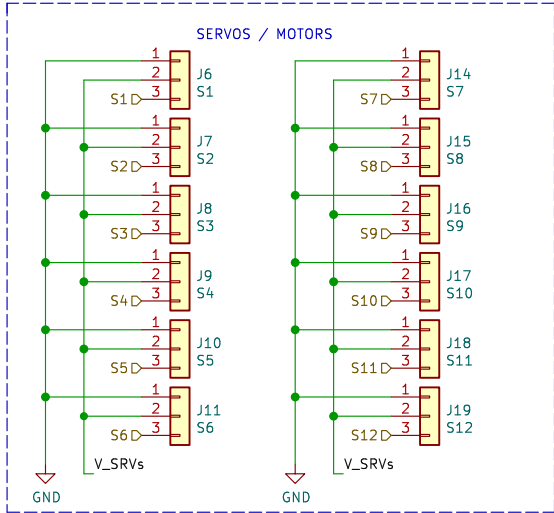
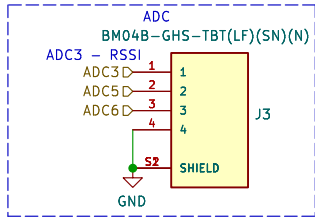
Title: öchin_stm32h743

Size: A4 | Date: 2025-12-15
KiCad E.D.A. 9.0.6

Rev:
Id: 4/8





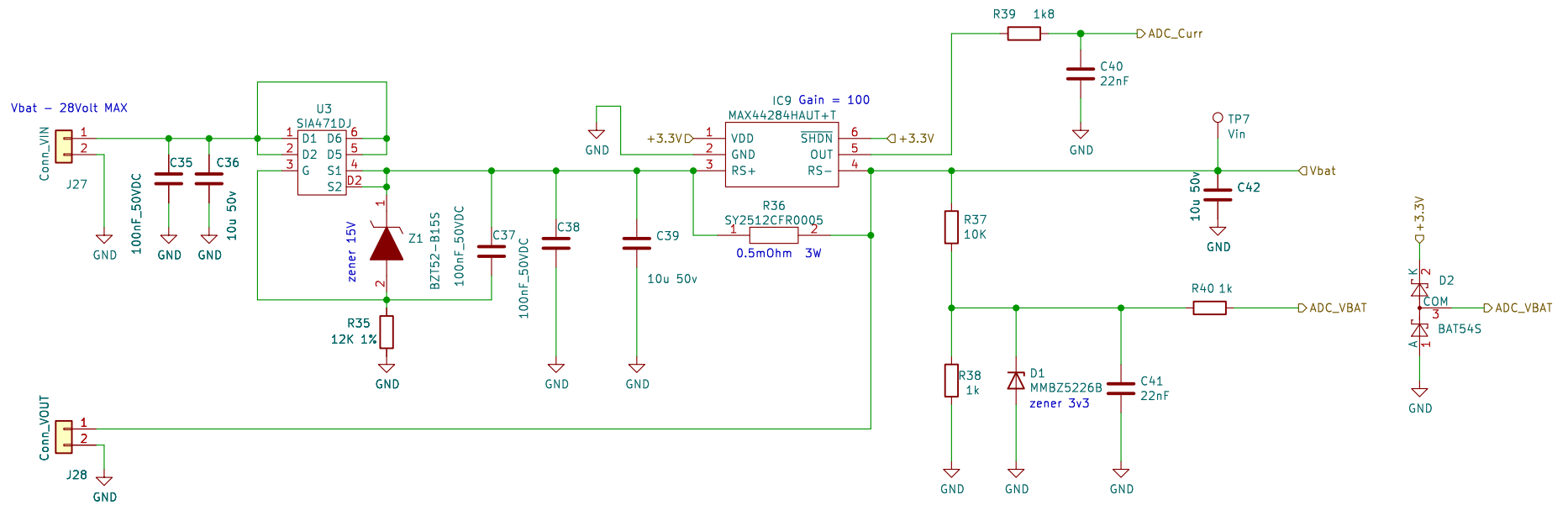


Sheet: /MCUBoard_mid/MCU_connectors/
 File: MCU_connectors.kicad_sch

Title: öchin_stm32h743

Size: A4 Date: 2025-12-15
 KiCad E.D.A. 9.0.6

Rev:
 Id: 7/8



Sheet: /MCUBoard_mid/main_power/
 File: main_power.kicad_sch

Title: öçin_stm32h743

Size: A4 | Date: 2025-12-15
 KiCad E.D.A. 9.0.6

Rev:
 Id: 8/8